

Wi-Fi Right Angle Wall Mount with AP Cover for Cisco 4800 & 9100 Series, and Aruba 515 & 535



Ventev's Wi-Fi Right Angle Wall Mount with AP Cover positions the access point for optimal Wi-Fi coverage in high-ceiling structures. With an integrated white or clear AP Cover, this mount fits most indoor access points and provides protection from tampering without RF interference. *Every Ventev enclosure is covered by the company's two-year TerraNet warranty program.*

For more information or to purchase, contact Ventev: 800.851.4965 or sales@ventev.com.

SPECIFICATIONS

SKU:

White AP Cover- Tessco No. 209987

Clear AP Cover- Tessco No. 283133

Product Number:

White AP Cover- WM-L&DAPCVRW

Clear AP Cover- WM-L&DAPCVRC

Dimensions:

12 x 15 x 12"

Mounts:

Wall mount, pole mount

Construction:

Aluminum Mount, Polypropelene Cover

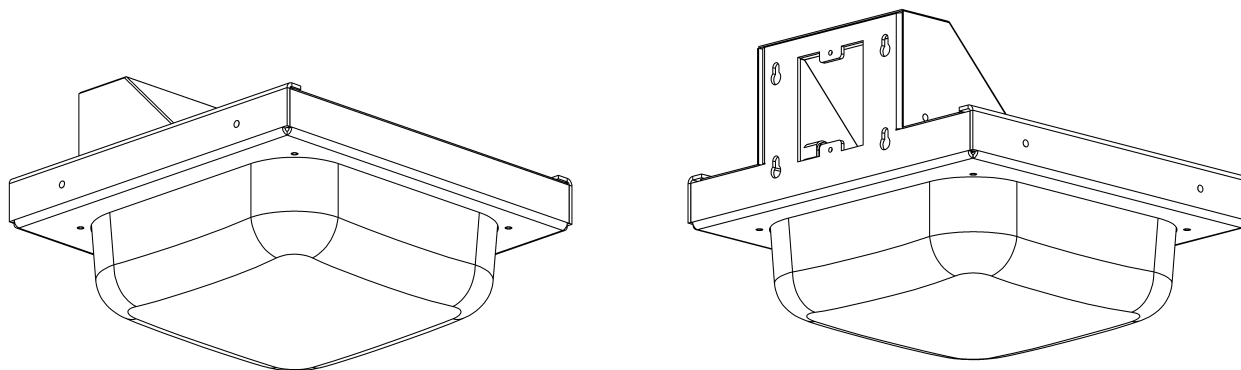
Weight:

5 lbs

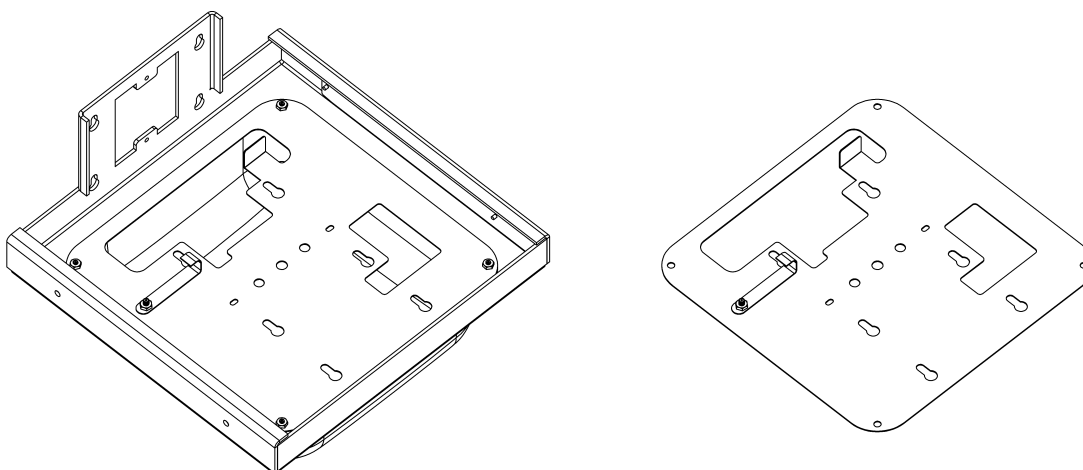
FEATURES AND BENEFITS

- Positions AP horizontally on the wall for optimal Wi-Fi coverage
- Provides an aesthetically pleasing solution
- Allows quick AP mounting and significantly trims deployment time and costs
- Locks to protect AP from tampering
- Cover conceals cable and protects access point from dust.
- Ideal for warehouses, hospitals, and universities

Wi-Fi Right Angle Wall Mount with AP Cover for Cisco 4800 & 9100 Series, and Aruba 515 & 535



The **Right Angle Wall Mount** installs easily on sheetrock walls with included hardware.



The **Access Point Backplate** accommodates most access points, including Cisco 4800 and 9100 series, and Aruba 555 and 535.