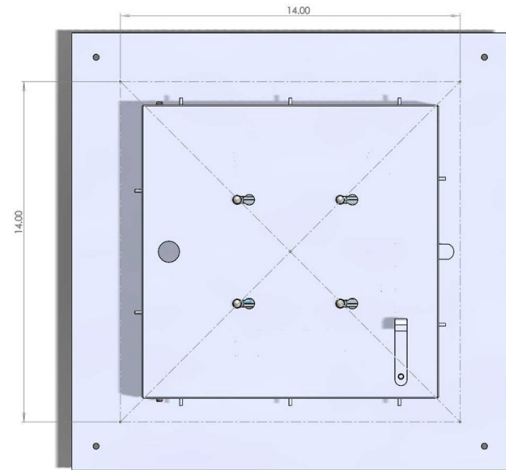
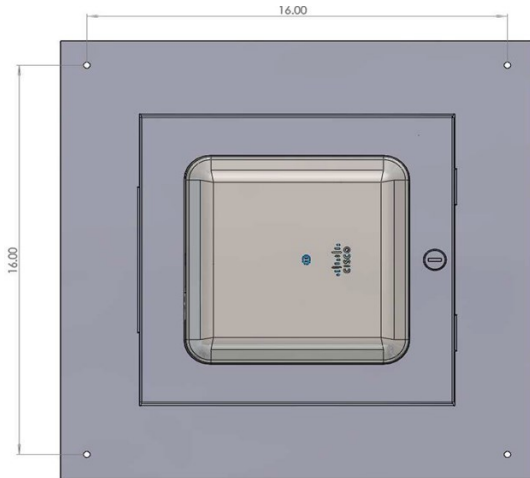


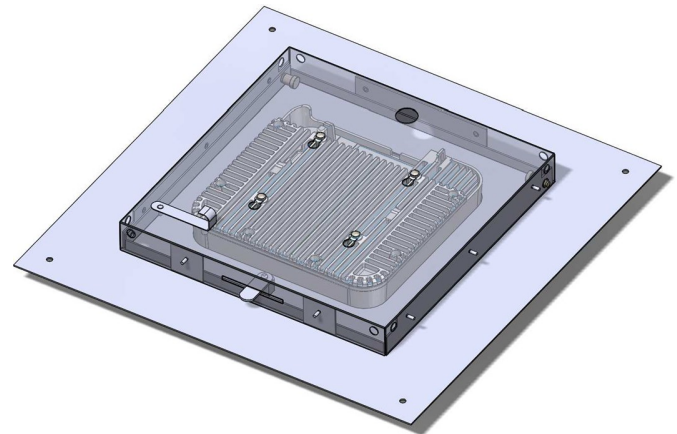
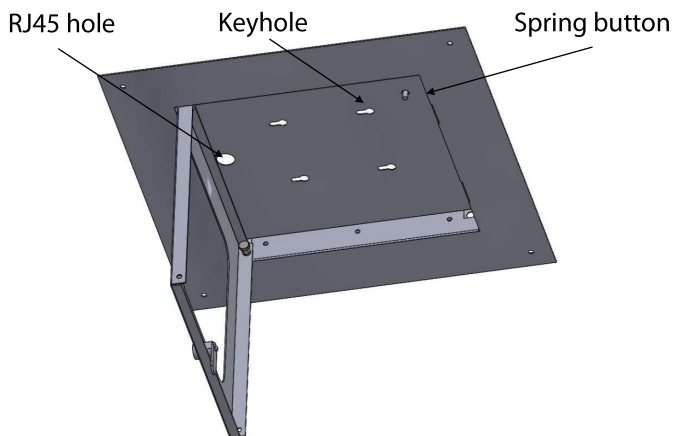
Hard Ceiling Enclosure for Cisco AP Installation and Removal Instructions

Mounting Instructions



- 1) The enclosure comes with 4, 1/4" holes spaced on 16" centers as shown. Center the holes with studs in the ceiling. (AP not included)
- 2) Cut a 14" x 14" square hole into the ceiling to allow the enclosure to be recessed into the ceiling.

- 3) Slide the enclosure into the hole and secure to the ceiling with the appropriate hardware for the type of installation you are encountering. For studs, use #12 x 1.5" wood screws. If mounting to other materials use the correct wall anchors to support the enclosure plus the weight of the AP (approximately 5 lbs.)



- 4) Unlock the door and allow the door to swing open and hang vertically.
- 5) Run the RJ 45 cable into the large hole in the tray of the enclosure and secure the wire with the romex connector.

- 6) Slide the AP feet into the keyholes. This will require you to depress the spring button with the AP. Once the AP is in place the spring button will secure the AP from sliding out. Position the AP cutout with the ports facing the cable hole as shown.
- 7) Close the door and lock.
- 8) To remove the AP, press the spring button up and slide the AP out of the key holes.

Hard Ceiling Enclosure for Cisco AP Installation and Removal Instructions

Door Removal and Re-Installation

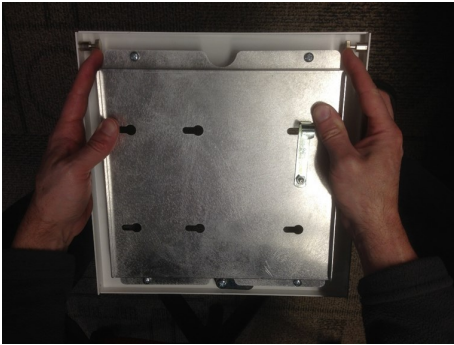


Figure 1



Figure 2

1. Unlock the door and allow the door to open as shown.
2. Pull the head of the two spring pins towards the center of the door to remove the door.
3. To install the door, pull the pin heads to retract the pin and align with the holes in base. Release the pin heads to engage the door.
4. Swing the door shut and lock the door.