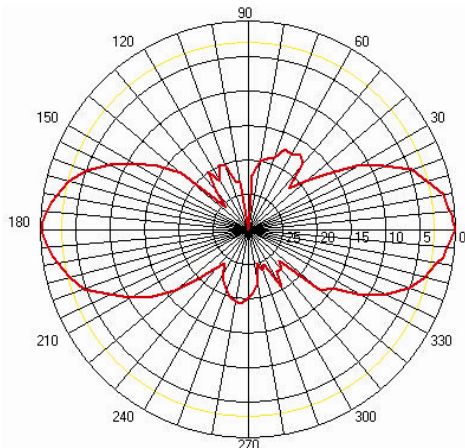
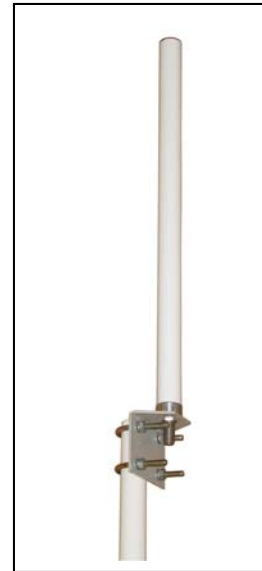


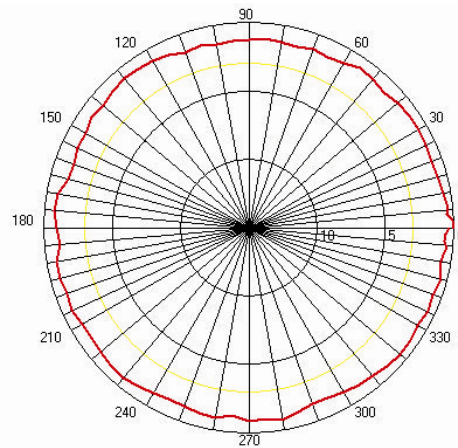
TerraWave Solutions® 824-960 MHz 6 dBi Fiberglass Omnidirectional Antenna with N-style Jack Connector

TerraWave's 6 dBi fiberglass omni antenna is designed for applications operating in 824 - 960 MHz frequency, including radio frequency identification (RFID), cellular systems, global system for mobile (GSM) communications, code-division multiple access (CDMA) systems, point-to-multipoint communications and wireless video links. It features high gain and is vertically polarized. Includes a heavy duty mounting bracket and an N-style jack connector. Every TerraWave antenna is covered by the Company's two year TerraNet warranty program. Visit www.terrawave.com for additional information.

Specifications	
Model	T09060O10006
Frequency Range	824 ~ 960 MHz
Bandwidth	136 MHz
Gain	6 dBi
Horizontal Beamwidth	360°
Vertical Beamwidth	30°
VSWR	≤ 1.5
Nominal Impedance	50 Ohms
Maximum Power Rating	100 Watts
Polarization	Vertical
Connector	N-Style Jack
Length	23.6"
Wind Load	120 mph
Radome	White Fiberglass
Mast Mount Diameter	Ø1.5" ~ Ø2.0"
Operating Temperature Range	-22°F ~ 158°F



E-Plane



H-Plane

**TerraWave Solutions® 824-960 MHz 6 dBi Fiberglass
Omnidirectional Antenna with N-style Jack Connector**

Mounting Bracket Information for T09060O10006

