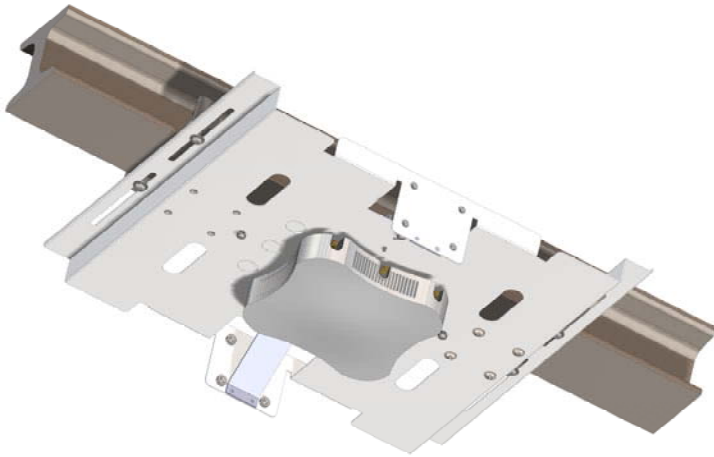


Assembly Instructions I-Beam Low Profile Mount

TerraWave's new Low Profile I-Beam Warehouse Mounting Solution is designed to allow mounting of an AP or AP and bubble enclosure to an I-Beam. The mount can be deployed into either the vertical or horizontal plane. The low profile design with minimal components makes installation quick and easy.

In addition, the ease of installation allows the mount to be moved quickly to optimize RF coverage. Constructed of corrosion resistant 5052 aluminum this mount can be used for indoor or outdoor wi-fi deployments. This new innovative mount is also equipped to accommodate a variety of TerraWave antennas.



System Highlights

- ◇ Easy installation allowing you to deploy your wireless network in an I-beam environment
- ◇ Can be moved quickly to optimize RF Coverage

Assembly Instructions

1) Included Parts:

Bracket	Qty 1	Flat Washers	Qty 4
I Beam Clamps	Qty 4	¼-20 x .25 Screws	Qty 4
T Bar Assembly	Qty 1	¼-20 x .50 Screws	Qty 4
#6-32 Screw	Qty 3	#8-32 Screw	Qty 4
#10-32 Screw	Qty 4		

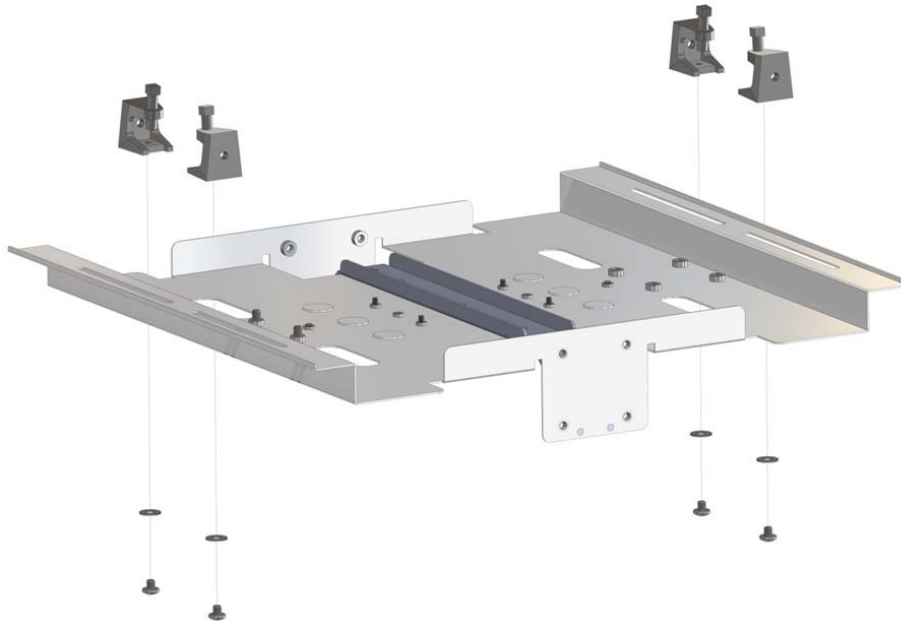
2) Tools Required:

Phillips Screwdriver

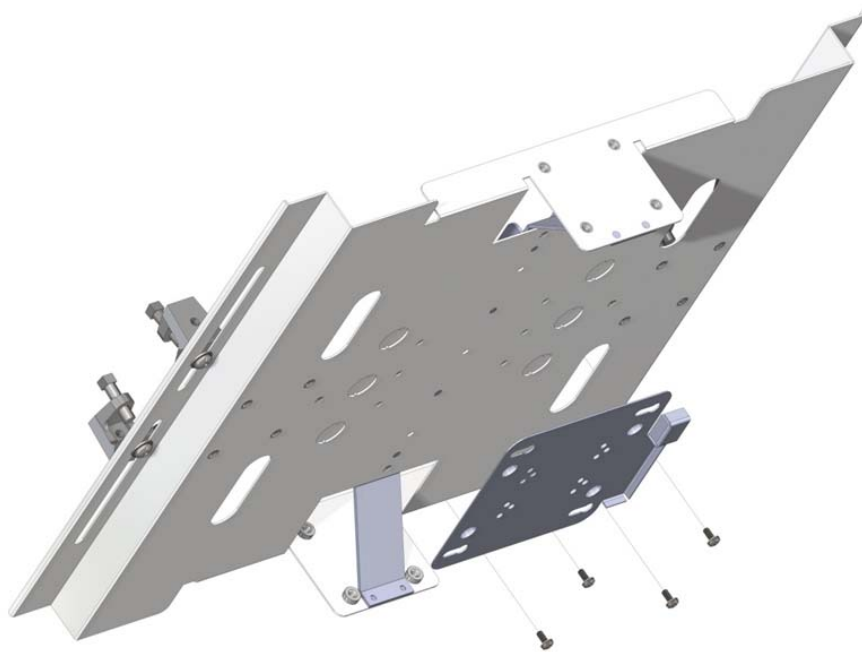
Adjustable wrench

Assembly Instructions I-Beam Low Profile Mount

- 3) Connect I beam Clamps to Bracket by inserting one ¼ -20 x .25 screw with a washer through the slot in the end of the bracket. Attach the screw to the I beam clamp hand tight to allow the tab on the bracket to prevent the clamp from spinning but loose enough to allow the clamp to slide to fit the width of the I beam.

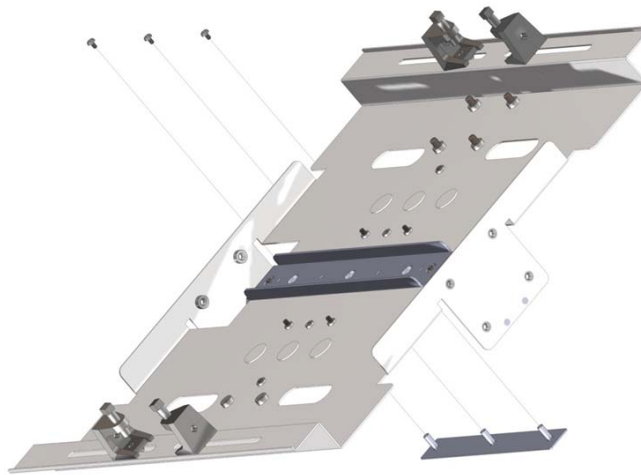


- 4A) Cisco APs: Attach the bracket supplied with the AP using qty 4 screws #8-32.

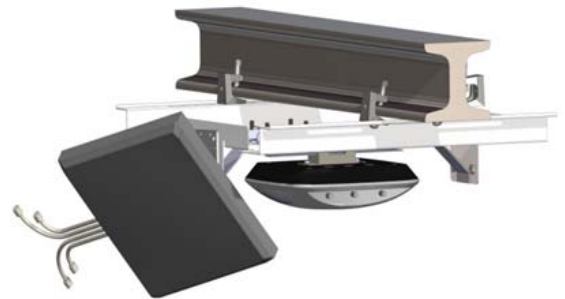


Assembly Instructions I-Beam Low Profile Mount

4B) T Bar mounted APs: Attach T Bar using qty 3 screws #6-32

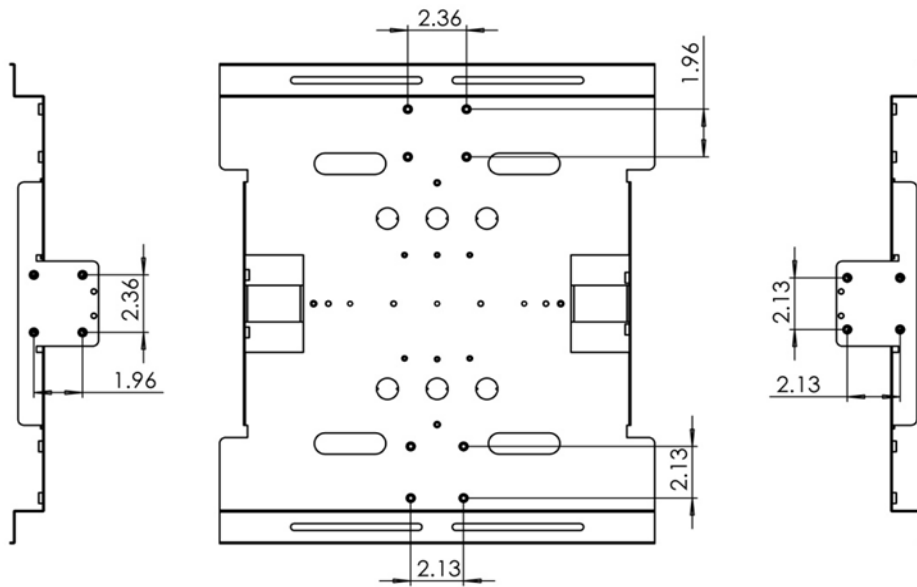


5) Bracket assembly can be installed vertical or horizontal. Slide I beam clamps to engage I beam and hand tighten I-beam bolts. Once bracket is centered, tighten I beam bolts with a wrench.



Assembly Instructions I-Beam Low Profile Mount

6) Route wires to enclosure. Antennas can be mounted as shown using the hole pattern provided in the bracket.



All holes have ¼-20 inserts. 1.96 x 2.36 hole pattern is for the omni antenna brackets. The 2.13 x 2.13 hole pattern fits the TerraWave Universal Articulating Mount, the optional TerraWave Industrial Articulating Mount and the optional Patch Antenna Paddle.

7) Optional plastic bubble sold separately can be installed using qty 4 screw #10-32

