

8 7 6 5 4 3 2 1

| REVISIONS | | | |
|-----------|-------------|---------|----------|
| REV. | DESCRIPTION | DATE | APPROVED |
| 1 | V1.0 | 28/9/15 | Chad |
| 2 | | | |
| 3 | | | |

1. INTERFACE DIMENSIONS CONFORMABLE TO THE STANDARDS: IEC 60169-16

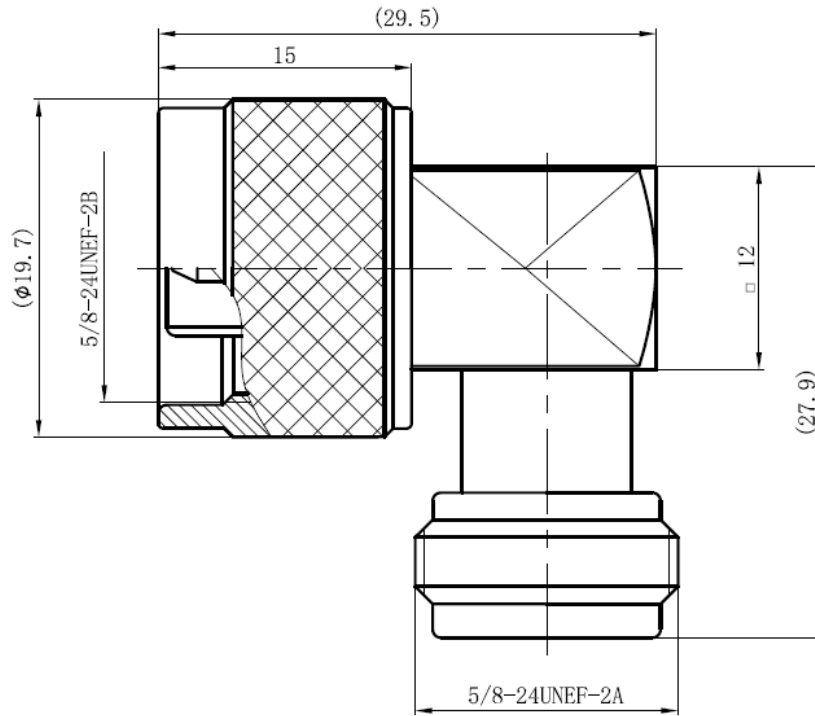
2. MATERIAL AND PLATING:

| | | |
|---|----------------|------------------------|
| 1 | Nut | Brass, nickel plated |
| 2 | Gaskets | Silicone rubber |
| 3 | Body | Brass, trimetal plated |
| 4 | Insulator | PTFE |
| 5 | Center contact | Bronze, silver plated |

3. ELECTRICAL DATA :

| | | |
|---|---------------------------------|---|
| 1 | Impedance | 50 Ω |
| 2 | Frequency | DC-3G |
| 3 | VSWR | <1.1 |
| 4 | Dielectric withstanding voltage | 1500V |
| 5 | Insertion loss | <0.15dB (824-960MHz) <0.2dB (1710-2690MHz) |
| 6 | Insulation resistance | >5000MΩ |
| 7 | Contact resistance : | |
| | centre contact | <1.5MΩ |
| | outer contact | <0.2MΩ |

4. DURABILITY: >500



CONFIDENTIAL AND PROPRIETARY
 THE INFORMATION CONTAINED HEREIN IS THE CONFIDENTIAL AND THE EXCLUSIVE PROPERTY OF TESSCO TECHNOLOGIES INCORPORATED. THIS DOCUMENT, AND THE INFORMATION CONTAINED HEREIN, SHALL NOT BE COPIED, REPRODUCED, PUBLISHED, DISPLAYED OR DISTRIBUTED, IN WHOLE OR IN PART, IN ANY MEDIUM, BY ANY MEANS, FOR ANY PURPOSE WITHOUT THE EXPRESS WRITTEN CONSENT OF TESSCO TECHNOLOGIES INCORPORATED.
 ©2010 TESSCO TECHNOLOGIES INCORPORATED
 ALL RIGHTS RESERVED

| | | | |
|---|--|-----------|--|
| UNLESS OTHERWISE SPECIFIED: | | DRAWN | |
| TOLERANCES: | | RESP ENG | |
| ±.XX = ±.01 | | APPR. | |
| ±.XXX = ±.005 | | APPR. | |
| ±.XXXX = ±.0001 | | MATERIAL: | |
| ±.X.X* = ±*1.0 | | SEE NOTES | |
| CAD FEATURES ARE BASIC: | | FINISH: | |
| DIMENSIONS ARE IN INCHES | | SEE NOTES | |
| DIMENSIONS IN [] ARE IN MM | | SIZE | |
| INTERPRET GEOMETRIC TOLERANCING PER ANSI Y14.5 - 2009 | | CAGE CODE | |
| 3RD ANGLE PROJECTION | | B 8J168 | |

ventev[®]

A Division of Tesco Technologies Incorporated

TITLE: **N Female to N Male Rt. Angle**

DWG. NO. **ADPTR NF-RANM**

REV **1**

DO NOT SCALE DRAWING SCALE: 1:5 SHEET 1 OF 1

8 7 6 5 4 3 2 1