

Low Profile I-Beam Warehouse Mount For APs and Bubble Enclosures

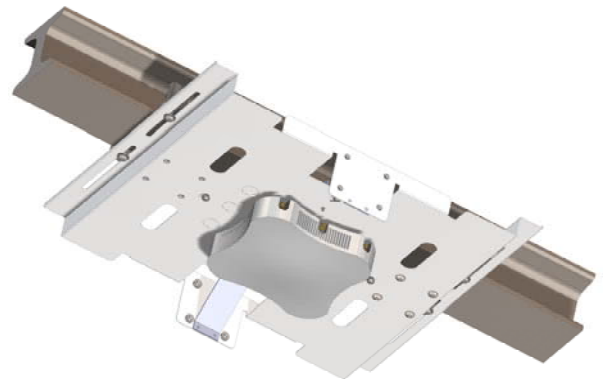
TerraWave's new Low Profile I-Beam Warehouse Mounting Solution is designed to allow mounting of an AP or AP and bubble enclosure to an I-Beam. The mount can be deployed into either the vertical or horizontal plane. The low profile design with minimal components makes installation quick and easy.

In addition, the ease of installation allows the mount to be moved quickly to optimize RF coverage. Constructed of corrosion resistant 5052 aluminum this mount can be used for indoor or outdoor wi-fi deployments. This new innovative mount is also equipped to accommodate a variety of TerraWave antennas.

For questions and to purchase product, contact a Regional Sales Executive at 210-375-8482, 800-851-4965 or sales@terrawave.com.

System Highlights

- ◇ Easy installation allowing you to deploy your wireless network in an I-beam environment
- ◇ Can be moved quickly to optimize RF Coverage



Low Profile I-Beam Mount	
Product Info	
SKU	520385
Part No	TW-IBeam-MNT-AP

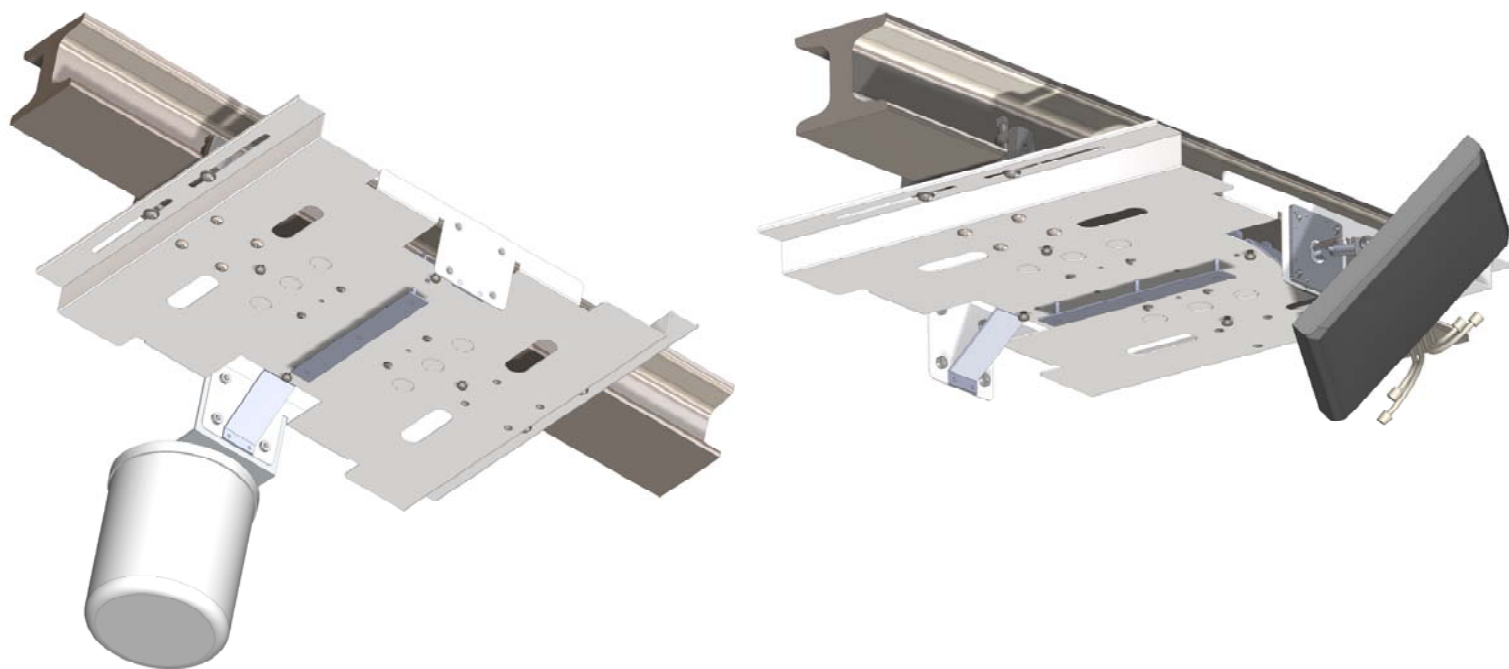
Features

- Can be used Indoor or Outdoor
- Constructed of Corrosion Resistant 5052 Aluminum (Marine Grade)
- Includes I-Beam Clamps
- Can accommodate I-Beams from 3"-10" in width
- Can be mounted vertically or horizontally
- 4 slots to accommodate wire/cable to secure the bracket to the I-beam should the I-beam clamps fail
- Can accommodate bubble enclosures, all paint can antennas, all patch antennas that can use UNIV-ART-MOUNTT, and all screw mount omni antennas
- Includes hole pattern to accommodate Cisco Access Points
- Includes T-Bar to accommodate most other Access Points
- Pressed in corrosion resistant Stainless Steel Threaded Inserts for easy installation of accessories

Benefits

- Minimal components to allow for quick and easy installation
- One piece frame
- Minimal tools for installation of both accessories and the mount
- Bracket and enclosure/accessories can be assembled on the ground minimizing the amount of time a lift is required
- Only mounting one piece of equipment to I-Beam, decreasing installation costs
- No modifications need to be made to existing structure to mount bracket
- Low profile design
- Knockouts provided for Cable Management
- Dust protection (Limited)
- Can quickly be moved to optimize RF Coverage

Low Profile I-Beam Warehouse Mount For APs and Bubble Enclosures



Included Accessories

- 1/4-20 X .375 SCREW - Qty 12
- I BEAM CLAMP - Qty 4
- 1/4 FLAT WASHER, 18-8 - Qty 4

Recommended /Compatible Accessories

- Antenna Paddle SKU #520049
- All Paint Can Antennas (Indoor or Outdoor)
- All Patch antennas that can use UNIV-ART-MOUNTT (Indoor or Outdoor) - Can be used with bracket or paddle
- All Screw Mount Omni Antennas (Indoor Only) - Antenna Paddle Required

TerraWave's enclosures have been evaluated for compliance with the Reduction of Hazardous Substances (RoHS) Directive 2002/95 and have been determined to not contain substances in excess of RoHS Maximum Concentration Levels.

In addition to enclosures for wireless deployments, TerraWave can design custom enclosures for any application including IP cameras, switches, routers and more.