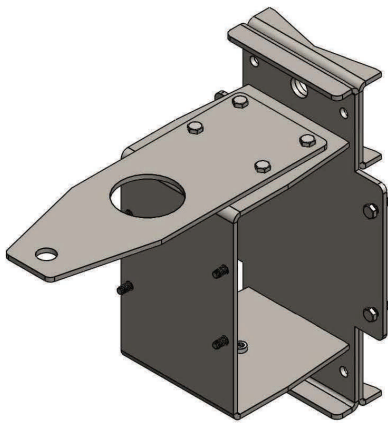


Smart Grid Compact Bracket

Ventev's Smart Grid Compact Bracket conveniently co-locates a radio, battery, and antenna in one, low profile unit. Ideal for mounting Grid Automation in city centers where space constraints exist, the single, welded base increases stability and allows fast, one-piece installation. The Smart Grid Compact Bracket accommodates both repeaters and access points with GPS antennas. A removable antenna bracket provides further configuration options. The compact bracket can be mounted with banding, thru-bolts, and U-Bolts, which allows it to be easily installed on most street furniture surfaces. *Every Ventev product is covered by the company's three-year warranty program. For more information, contact a regional sales executive at 800-851-4965 or sales@ventev.com, or visit www.ventev.com/infra*



Part Number	Description	Quantity
VN173829 REVO	Bracket Weld Assembly	1
VN173832 REVO	Antenna Plate	1
92240A540	1/4 - 20 x .75 Hex Bolt, 18 - 8	8
92240A539	1/4 - 20 x .625 Hex Screw, 18 - 8	4

